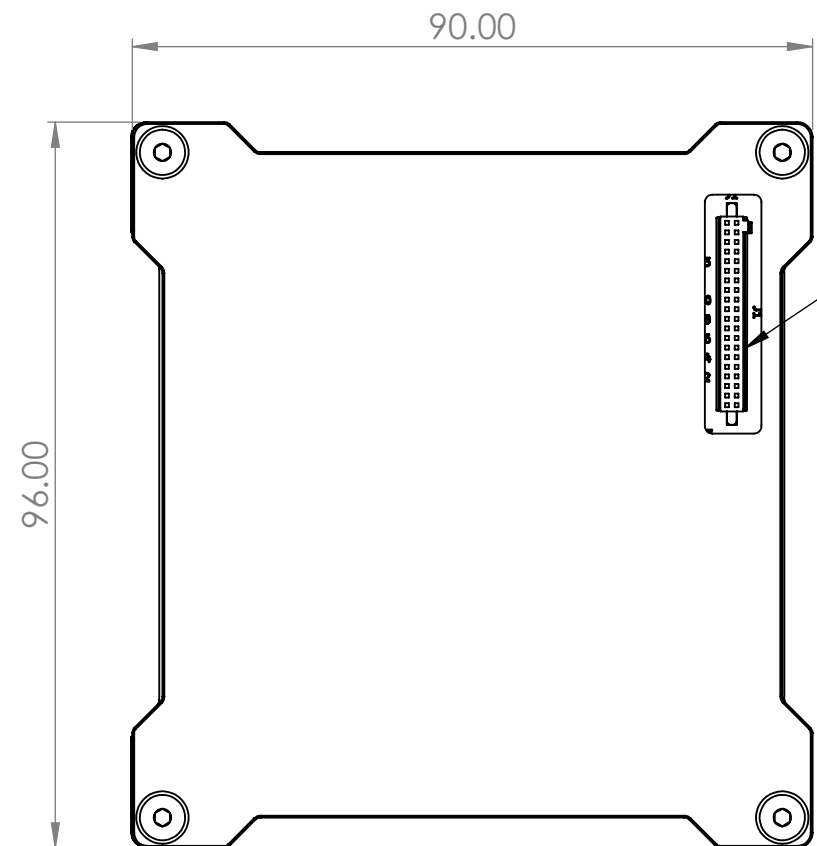


4

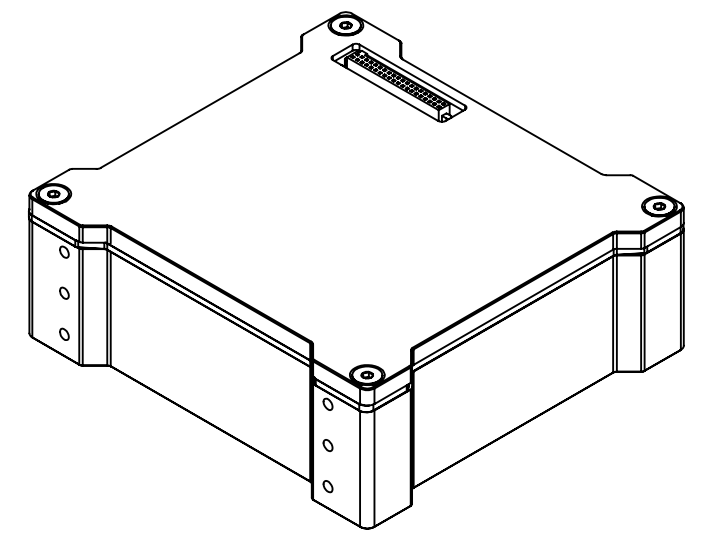
3

2

1

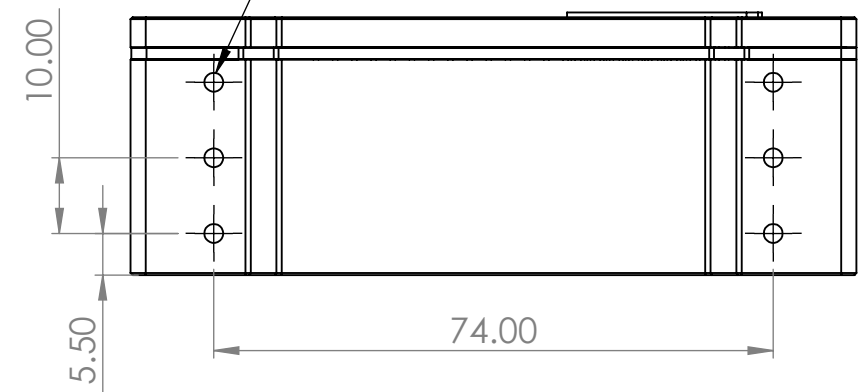
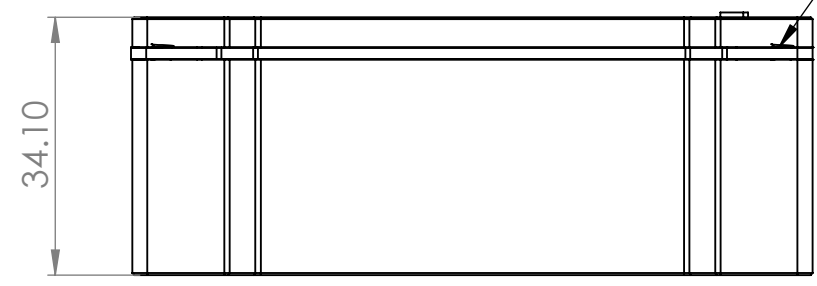


SFM-120-01-L-D AVIONIC INTERFACE CONNECTOR



STANDARD DODO INTERFACE PCB

12X M3 THREADED INTERFACES WITH SAT FRAME



B

B

A

A

4

3

2

1



PROPRIETARY AND CONFIDENTIAL

THE INFORMATION CONTAINED IN THIS DRAWING IS THE SOLE PROPERTY OF BLACKWING SPACE. ANY REPRODUCTION IN PART OR AS A WHOLE WITHOUT THE WRITTEN PERMISSION OF BLACKWING SPACE IS PROHIBITED.

DIMENSIONS ARE IN MILLIMETERS
 UOS TOLERANCES:
 X +/- 0.25
 X.X +/- 0.1
 X.XX +/- 0.05
 X° +/- 0.5°

MATERIAL: AL 6061 T6

	NAME	DATE
DRAWN		
CHECKED		
ENG APPR.		
MFG APPR.		
Q.A.		
COMMENT:		

TITLE:		
STANDARD MODULE		
SIZE	DWG. NO.	REV
B		1
SCALE: 1:1		WEIGHT: 138g